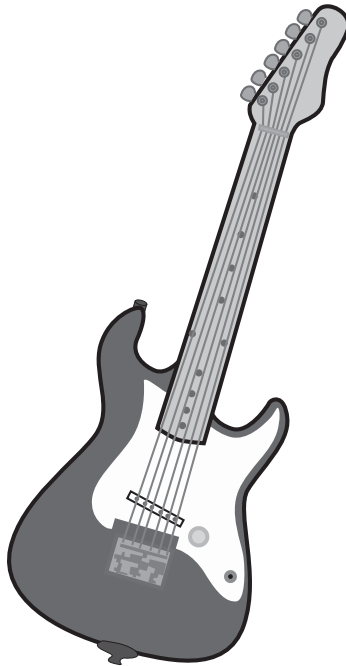




OWNER'S MANUAL



Electric Guitar with Amplifier

PLEASE READ BEFORE OPERATING THIS EQUIPMENT

Model: KSP965

SAFETY PRECAUTIONS



CAUTION
RISK OF ELECTRIC SHOCK
DO NOT OPEN



CAUTION: TO REDUCE THE RISK OF ELECTRIC SHOCK, DO NOT REMOVE COVER (OR BACK). NO USER-SERVICEABLE PARTS INSIDE. REFER SERVICING TO QUALIFIED SERVICE PERSONNEL.

DANGEROUS VOLTAGE:



The lightning flash with arrowhead symbol, within an equilateral triangle is intended to alert the user to the presence of uninsulated dangerous voltage within the product's enclosure that may be of sufficient magnitude to constitute a risk of electric shock to persons.

ATTENTION:



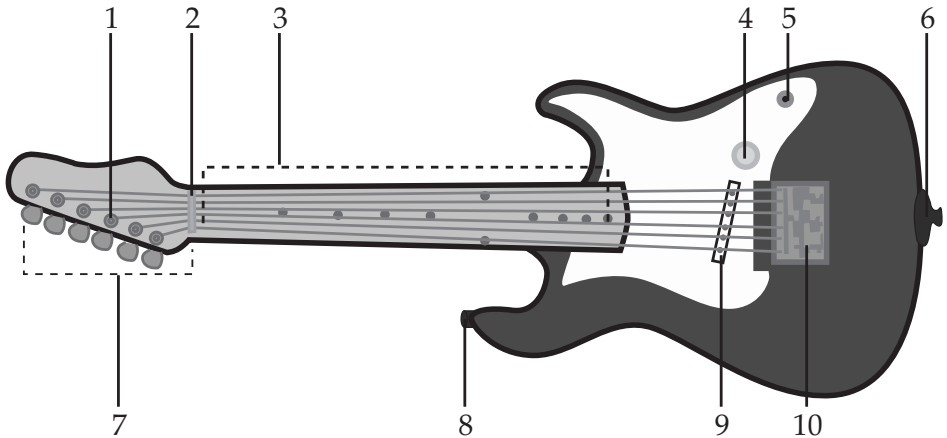
The exclamation point within an equilateral triangle is intended to alert the user to the presence of important operating and maintenance (servicing) instructions in the literature accompanying the appliance.

INFORMATION:

This equipment has been tested and found to comply with the limits for a Class B digital device, pursuant to Part 15 of the FCC Rules. These limits are designed to provide reasonable protection against harmful interference in a residential installation. This equipment generates, uses and can radiate radio frequency energy and, if not installed and used in accordance with the instructions, may cause harmful interference to radio communications. However, there is no guarantee that interference will not occur in a particular installation. If this equipment does cause harmful interference to radio or television reception, which can be determined by turning the equipment off and on, the user is encouraged to try to correct the interference by one or more of the following measures:

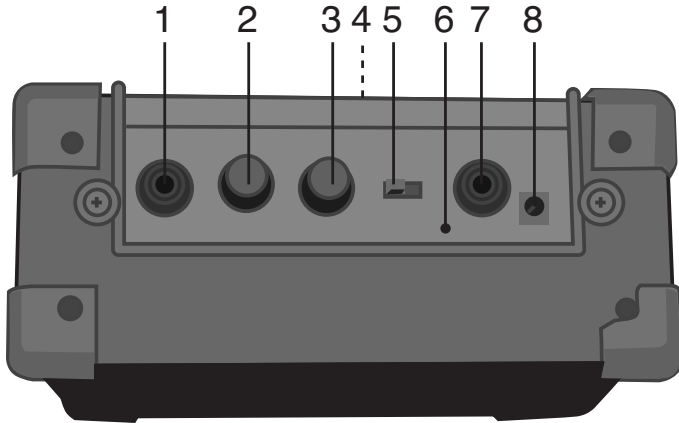
- Reorient or relocate the receiving antenna.
- Increase the separation between the equipment and receiver.
- Connect the equipment into an outlet on a circuit different from that to which the receiver is connected.
- Consult the dealer or an experienced radio/TV technician for help.

LOCATION OF CONTROLS (GUITAR)



1. Headstock String Nubs
2. Headstock String Guide
3. Finger Board
4. VOLUME Control
5. Amp Jack
6. Upper Strap Knob
7. TUNING Keys
8. Lower Strap Knob
9. Pickup
10. Bridge

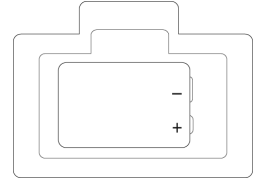
LOCATION OF CONTROLS (AMP)



1. INPUT Jack
2. VOLUME Control
3. TONE Control
4. Battery Compartment (Rear of Amp)
5. AMP Switch
6. DRIVE Indicator
7. Headphone Jack
8. DC 9V IN Jack $\oplus \ominus$

INSTALLING THE AMPLIFIER'S 9V BATTERY

1. Open the battery cover and insert a 9V Battery as shown.
2. Close the Battery Compartment cover.



BATTERY PRECAUTIONS

Follow these precautions when using batteries in this device:

1. Use only the size and type of batteries specified.
2. Be sure to follow the correct polarity when installing the batteries as indicated in the battery compartment. Reversed batteries may cause damage to the device.
3. Do not mix different types of batteries together (e.g. Alkaline and Carbon-zinc) or old batteries with fresh ones.
4. If the batteries in the device are consumed or the device is not to be used for a long period of time, remove the batteries to prevent damage or injury from possible battery leakage.
5. Do not try to recharge batteries not intended to be recharged; they can overheat and rupture. (Follow battery manufacturer's directions.)
6. Do not dispose of batteries in fire; batteries may explode or leak.

AMPLIFIER DC ADAPTER

To operate the amplifier using AC power, connect a 9V AC adapter (not included) to the DC jack on the top of the amp and then to a wall outlet having 120V, 60Hz AC only. The battery is disconnected when using the adapter.

DC 9V 500mA ⊕ ⊖

USING THE STRAP

To use the guitar supplied strap, simply insert one end of the strap over the Upper Strap knob and the other end over the Lower Strap knob.

CONNECTING THE GUITAR TO THE AMP

With the amplifier's VOLUME control set to the minimum position and the power off, insert the end of the cable with the 90° angle to the Amp jack on the guitar. Insert the other end into the INPUT jack on the amplifier.

ACCESSORIES

Make sure the following is included:

- Guitar
- Amplifier
- Two additional strings
- Pick
- Tuning Tool
- Carrying Case
- Carrying Strap

OPERATION

1. Connect the guitar to the amplifier as described on the previous page.
2. Slide the AMP switch to the ON position to turn the AMP on.
3. Rotate the VOLUME control on the guitar and the amplifier to the desired volume setting.
4. Rotate the TONE control on the amplifier as desired.
5. Play your guitar!
6. Slide the AMP switch to the DRIVE position to obtain the overdrive effect; the DRIVE indicator will light.

HEADPHONE JACK

Connect headphones (not included) into the Headphone jack on the Amplifier for private listening. Please note that the speaker is disconnected when listening through the headphone jack.

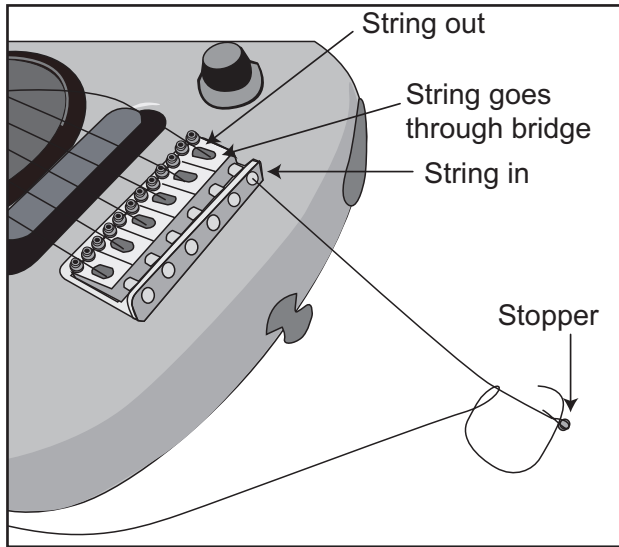
TUNING

There are two methods of tuning this guitar as follows:

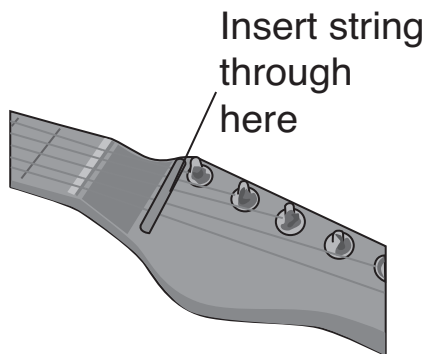
1. Rotate the Tuning Keys on the respective string.
2. Adjust the height of the Bridge using the supplied Adjusting Tool.

INSTALLING NEW STRINGS

1. Insert a new string through the top hole in the Headstock, then guide it through the Bridge (see figure below).



2. Pull the string towards the Headstock, then guide it under the headstock String Guide.



3. Insert the string through the hole in the nubs on the Headstock, then rotate the Tuning keys to tighten.

